

35, 50, 85 & 119 Gallon Precharged Pressure Tanks

Vertical Design

Factory Precharged to 40 PSI for Efficiency

Extends pump life by providing more water between pump cycles compared to standard tanks

Heavy-Gauge Steel Construction

For maximum durability and extended life

Precision Press Fit Design

Minimizes gaps between components, reducing corrosion and seam leaks

Large Capacity

Ideal for high demand water usage

Easy Maintenance

NSF-61-approved tank
Replaceable air/water separator



119 GAL FP7135

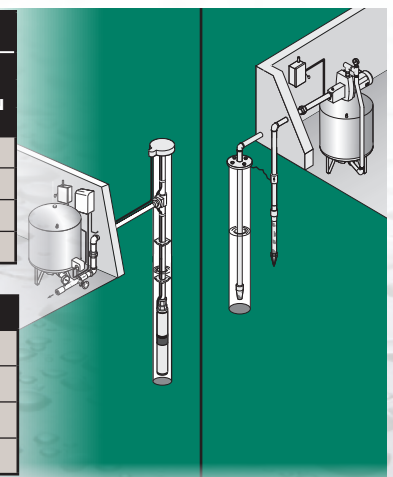
85 GAL FP7130

50 GAL FP7125

35 GAL FP7120

PERFORMANCE										
MODEL	STANDARD TANK EQUIVALENCY	ACTUAL TANK CAPACITY	DRAWDOWN COMPARISON						STYLE	PLUMBING CONNECTION
			PRECHARGED			STANDARD				
			20/40	30/50	40/60	20/40	30/50	40/60		
FP7135	320 Gallons	119 Gallons	41.3	35.4	31.0	47.0	29.0	24.4	Vertical	1-1/4"
FP7130	220 Gallons	85 Gallons	30.0	26.0	22.0	34.1	22.4	16.1	Vertical	1-1/4"
FP7125	120 Gallons	50 Gallons	18.3	15.5	13.4	18.6	12.2	8.8	Vertical	1-1/4"
FP7120	82 Gallons	35 Gallons	12.7	10.7	9.3	12.7	8.4	5.9	Vertical	1"

MODEL	WARRANTY	UPC	CARTON DIMENSIONS	PALLET QTY.	WEIGHT
FP7135	5 YEAR	022315173675	24.813" x 24.813" x 69.818"	2	153 LBS.
FP7130	5 YEAR	022315101135	24.563" x 24.563" x 56.063"	2	117.7 LBS.
FP7125	5 YEAR	022315101128	24.563" x 24.563" x 33.188"	2	82.35 LBS.
FP7120	5 YEAR	022315101111	20.813" x 20.813" x 34.313"	4	61.6 LBS.



Includes:

Detailed owner's manual